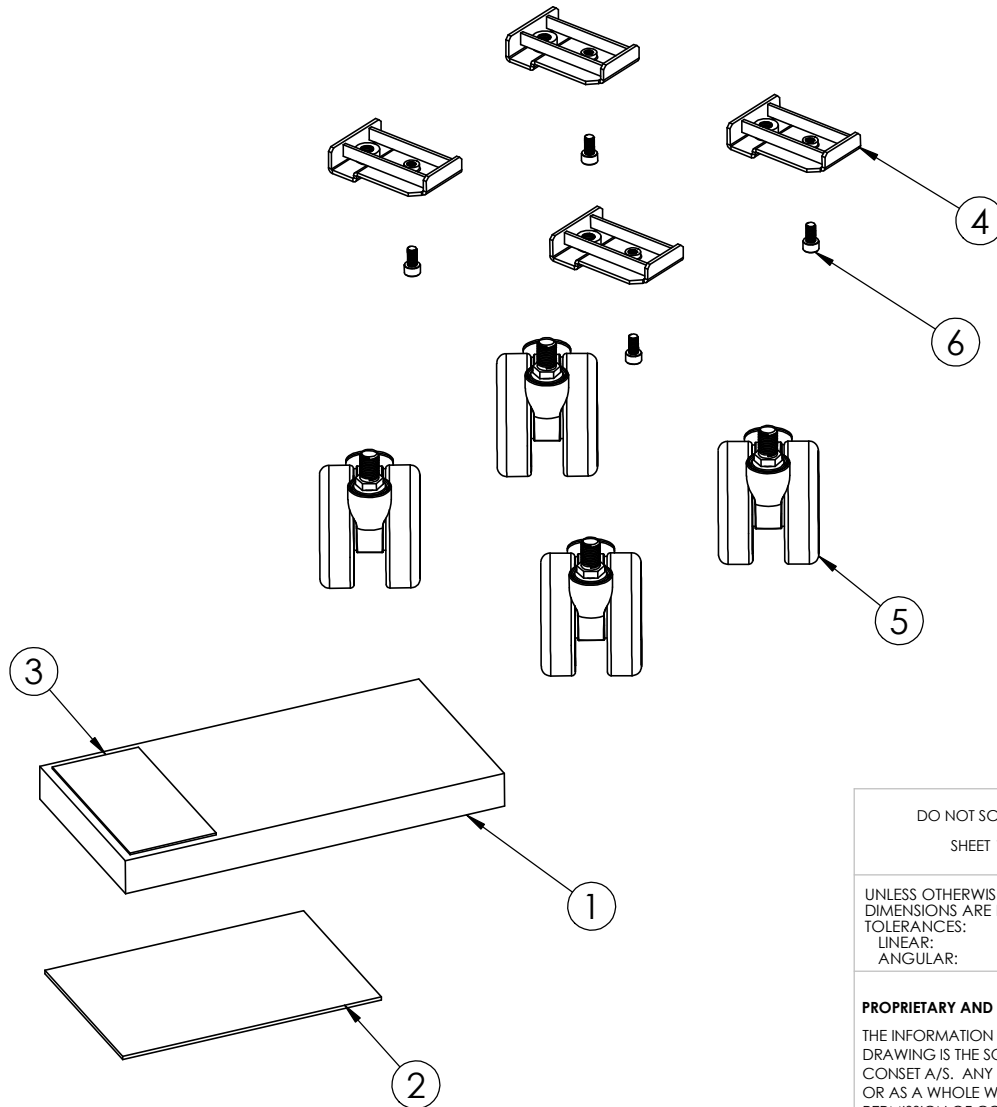


ITEM NO.	QTY.	PART NO.	REVISION	DESCRIPTION	DIN-ISO	REMARKS
1	1	300690	0	Plastic bag		
2	1	353740	0	Mounting instruction		
3	1	311860	8	ID label		
4	4	152610	1	Castor bracket welded		
5	4	353230	0	ø65 castor, M8x15		TSB65UZ38B005
6	4	326900	0	M5x10, Cylinder head	DIN 912	



*** Label specification

Template	311860
No. on label	501-XX HXX1
Description	Castorset, 501-37, white
Bar code	5 704142 152621

DO NOT SCALE DRAWING SHEET 1 OF 1		WEIGHT:		ConSet A/S Industrivej 23 DK-6900 Skjern Denmark www.conset.com
UNLESS OTHERWISE SPECIFIED: DIMENSIONS ARE IN MILLIMETERS TOLERANCES: LINEAR: According to ANGULAR: DIN 7168-m		NAME	DATE	
PROPRIETARY AND CONFIDENTIAL THE INFORMATION CONTAINED IN THIS DRAWING IS THE SOLE PROPERTY OF CONSET A/S. ANY REPRODUCTION IN PART OR AS A WHOLE WITHOUT THE WRITTEN PERMISSION OF CONSET A/S IS PROHIBITED.		DRAWN	jo	15-04-2020
		CHECKED		
		Processes:	packing labelling	TITLE: Castorset, white, 501-XX HXXX
		Remarks:		DWG NO. 152620
				REVISION 0